

Fig. 1

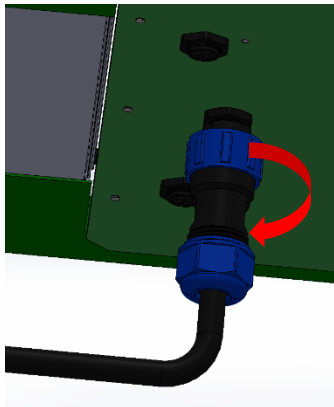


Fig. 2

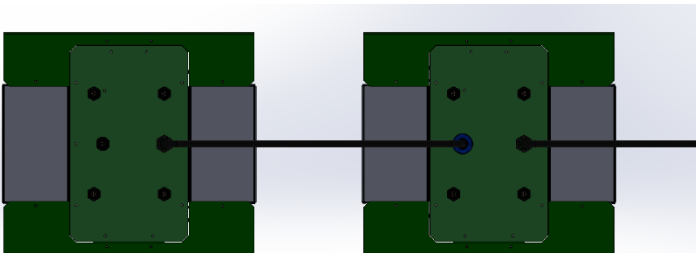


Fig. 3



BEFORE YOU BEGIN

- Read these instructions completely and carefully.
- Save these instructions for future use.



WARNING

- To avoid possible fire risk or shock turn off power prior the installation or maintenance, preferably at circuit breaker. Product must be installed following all NEC and local Electrical Codes.

DCHN connection

- This luminaire has different input configurations from 120 Vac to 480 Vac
- The maximum fixtures to connect will depend of input voltage:

Model	120 VAC	240 VAC	277 VAC	347 VAC	480 VAC
RPG-1200	NA	3	4	5	7

INSTALLATION

- Once the luminaire is installed, use the wire accessory to connect between fixtures (Fig. 1)

NOTE: consider that the first luminaire installed should be the one closest to the socket (the extension plug should be used on that luminaire) see fig. 4

- Turn clockwise the connector nut to secure the connection. (Fig. 2)
- Repeat previous steps for each of the chain of fixtures you intend to interconnect taking into consideration the maximum limit of fixtures depending on the AC input Voltage.
- The connection between luminaires should look like shown in Fig. 3.



INSTALLATION

- Once all luminaires are connected between them, you can now power up luminaire #1 (the closest to the output outlet). to power up the luminaire use the power cord with a plug (Fig.4)

NOTE: Images for reference only

