



**STRAZE**



## **BEFORE YOU BEGIN:**

- Read these instructions completely and carefully
- Save these instructions for future use.



## **WARNING:**

- To avoid possible risk of fire or shock, turn off power prior to installation or maintenance preferably at circuit breaker. The product must be installed following all NEC and local Electrical Codes.
- Verify that supply voltage is correct by comparing it with the luminaire label information.
- Installation and service of luminaires should be performed by a qualified licensed electrical.
- Maintenance of the luminaires should be performed by person familiar with the luminaire's construction and operation and any hazards involved.

## **UNPACKING:**

- This luminaire has been properly packaged so that no damage will occur during transportation.
- Inspect and confirm.

## **MAINTENANCE:**

- A regular maintenance schedule should be followed to retain optimal output and thermal performance.
- Optical lens cleaning should be performed with a clean dry cloth to remove any dust or other contaminants.



FIG. 1

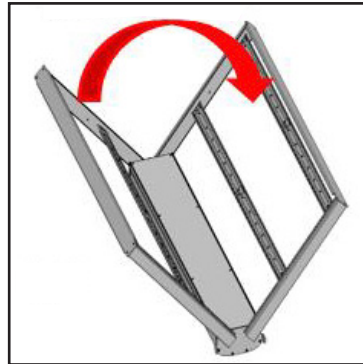


FIG. 2



FIG. 3

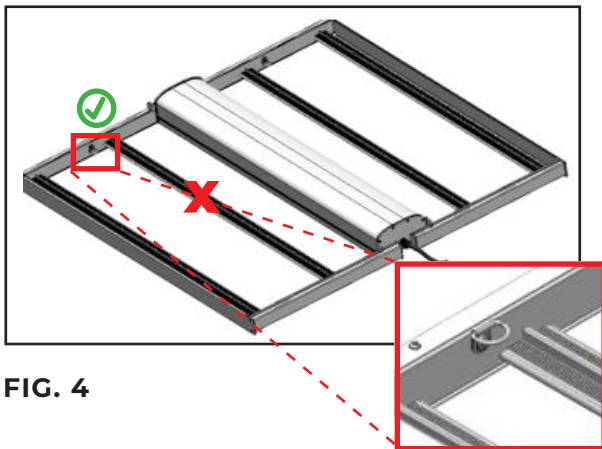


FIG. 4

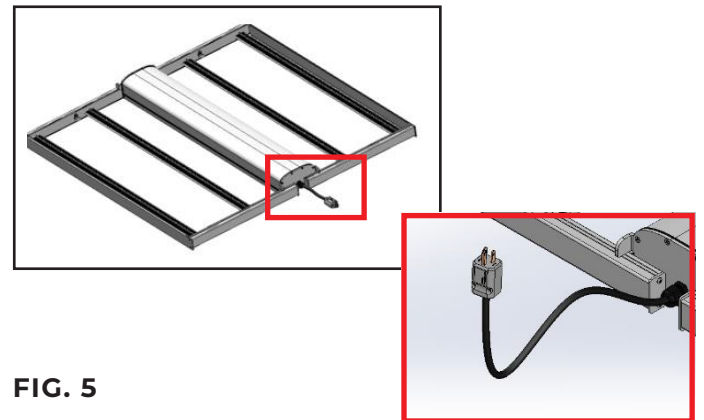


FIG. 5

## STRAZE INSTALLATION:

1. Unbox fixture and place on flat, stable surface.
2. Unfold the fixture with LEDs facing down. (FIG. 1, 2 and 3)
3. Do not handle the fixture using the LED bars as it can result in damage to the light and performance. Be sure to only lift from the primary fixture structure. (FIG. 4)
4. The STRAZE can be mounted to the supporting structure or frame by suspending with carabiner cables (not provided) or other suspension means using the four mounting rings on the fixture. Maximum fixture weight is 35 lbs. (FIG. 5)
5. Once STRAZE is hung up, connect luminaire to the power supply (FIG. 4).



## GENERAL INSTALLATION:

- Inspect the contents for any obvious physical damage. If damage has occurred, contact the shipper of the hardware. If replacement part is required.
- Some minimum clearances around the growing environment are required for proper operation of the cooling system and to prevent overheating:
  - ♦ **Ceiling clearance:** 2"
  - ♦ **Fixture to fixture:** 12"
  - ♦ **Fixture to wall clearance:** 6"
  - ♦ **Fixture to plants:** 6"
  - ♦ **Fixture to other objects:** 6"
- The maximum ambient temperature of the growing environment operation is 0°to 35°C (95°F).
- Ensure that the maximum ambient temperature is not exceeded. A mechanical ventilation or cooling system is required to maintain temperatures within the growing space below 35°C (95°F) when the horticultural luminaire is in operation.
- This unit is designed for damp locations.



## WHEN WIRING THE LIGHT FIXTURE, ENSURE THE FOLLOWING:

- Power is disabled when connecting cords or plugs.
- Power cords are not to be concealed or extended through bulkheads, flooring, ceiling, or other parts of the building structure.
- Power cords are not to be located above the ceiling (including dropped ceilings).
- Power cords are not to be permanently attached to the building structure.
- Power cords should be protected from physical damage.
- Power cords are not to be subjected to strain and are bearing weight of the fixture
- Power cords should be visible over the entire cable length.
- Power cords are used within their rated ampacity as determined by the maximum environment temperature specified in the instructions.