

FIG. 1

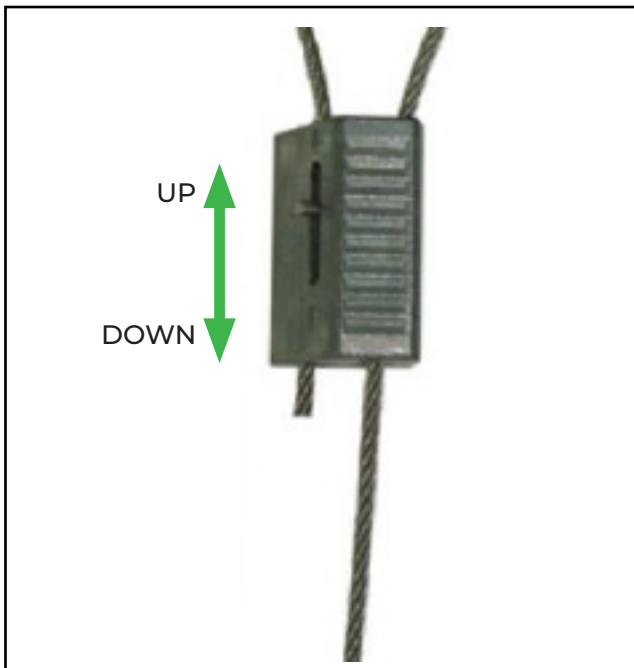


FIG. 2



**BEFORE YOU BEGIN:**

- Read these instructions completely and carefully
- Save these instructions for future use.



**WARNING:**

To avoid possible risk of fire or shock, turn off power prior to installation or maintenance preferably at circuit breaker. The product must be installed following all NEC and local Electrical Codes.

**UNPACKING:**

- This luminaire has been properly packaged so that no damage will occur during transportation.
- Remove bubble wrap **ONLY** when the fixture is installed
- Inspect and confirm.

**INSTALLATION:**

- Identify the structure/area where the luminaire will be installed.
- Thread cable into locking mechanism and pull cable through.
- Loop cable around beam or other secure attachment point (clamp, pipe or eyebolt) and pass tail end of cable through other hole into locking mechanism (FIG. 1).
- Press button on locking mechanism and slide UP or DOWN along cable to adjust height (FIG. 2).

**NOTE:**

Not to scale, for reference only.

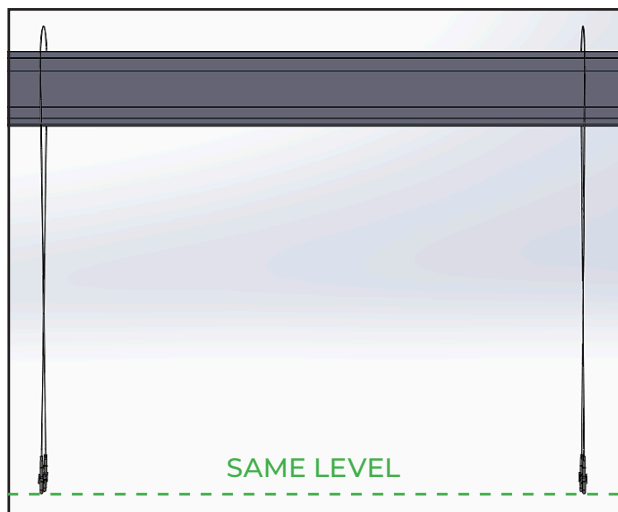


FIG. 3

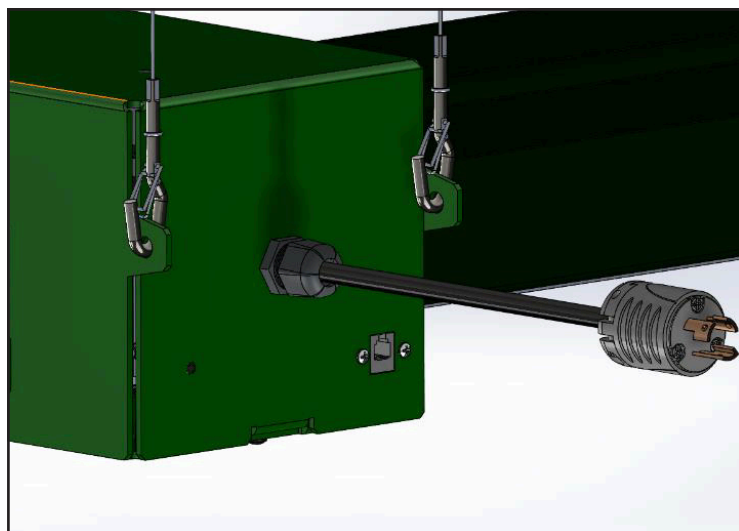


FIG. 4

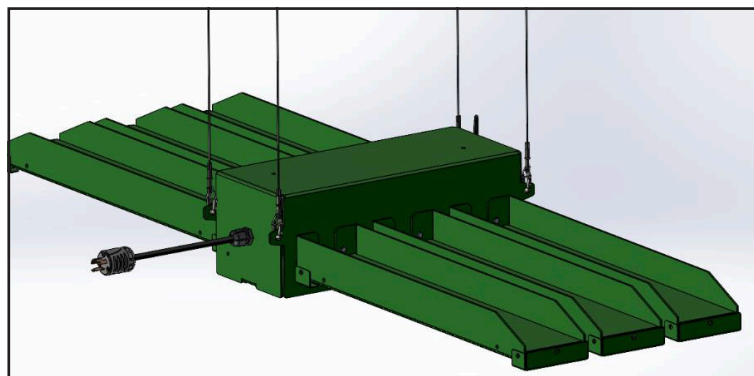


FIG. 5

- When all four snap hooks are hanging at relatively the same height (FIG. 3), snap hooks onto driver box (FIG. 4).
- Before proceeding with the electrical installation, adjust the luminaire until it's leveled in both direction (FIG. 5).
- Once SUNOME is hung up, connect luminaire to the power supply.

**NOTE:** Not to scale, for reference only.

## MAINTENANCE:

- Caution must be taken to avoid accidents. First turn off the light and disconnect power to the luminaire.
- Before cleaning, wait for the luminaire's temperature to cool down.
- To completely remove dirt, prepare a mixture of water and alcohol in equal parts. Then moisten a cloth and gently wipe surfaces.
- Before reinstalling the luminaire, wait until it is completely dry.
- After luminaire is reinstalled, connect power and turn luminaire on.



## GENERAL INSTALLATION:

- Inspect the contents for any obvious physical damage. If damage has occurred, contact the shipper of the hardware. If replacement part is required.
- Some minimum clearances around the growing environment are required for proper operation of the cooling system and to prevent overheating:
  - ♦ **Ceiling clearance:** 2"
  - ♦ **Fixture to fixture:** 12"
  - ♦ **Fixture to wall clearance:** 6"
  - ♦ **Fixture to plants:** 6"
  - ♦ **Fixture to other objects:** 6"
- The maximum ambient temperature of the growing environment operation is 0°to 35°C (95°F).
- Ensure that the maximum ambient temperature is not exceeded. A mechanical ventilation or cooling system is required to maintain temperatures within the growing space below 35°C (95°F) when the horticultural luminaire is in operation.
- This unit is designed for damp locations.



## WHEN WIRING THE LIGHT FIXTURE, ENSURE THE FOLLOWING:

- Power is disabled when connecting cords or plugs.
- Power cords are not to be concealed or extended through bulkheads, flooring, ceiling, or other parts of the building structure.
- Power cords are not to be located above the ceiling (including dropped ceilings).
- Power cords are not to be permanently attached to the building structure.
- Power cords should be protected from physical damage.
- Power cords are not to be subjected to strain and are bearing weight of the fixture
- Power cords should be visible over the entire cable length.
- Power cords are used within their rated ampacity as determined by the maximum environment temperature specified in the instructions.